

# Lighting. The Future.



LUMI-PLUGIN



# Contents

Lumi-Plugin	03
Why Lumi-Plugin?	08
Lumi-Plugin Downlight	09
+ Emergency light	12
+ Sprinkler	13
+ Smoke alarm	16
+ Heat alarm	17
+ CO alarm	20
+ PIR sensor	21
Removable bulb and connectivity	23
Before and afters	25
Dimensions	27
Testing and warranty	28
Contact us	29

## Lumi-Plugin

Why clutter your ceiling with conventional lighting, fire safety systems and energy saving systems when you can combine them all?

Invented to minimise ceiling installations. Designed to maximise interior style.

Lumi-Plugin Downlights are carefully crafted to be compatible with our Emergency light, Sprinkler, Smoke alarm, Heat alarm, CO alarm, PIR sensor plugins – one light, fits all.

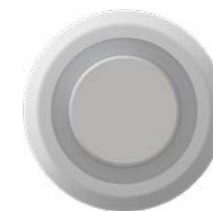
Every technical detail is engineered, tested and developed for seamless integration, effortless installation and flawless protection. Timesaving and cost-saving features like our unique, removable bulbs and quick-connect junction boxes make Lumi-Plugin the best residential fire-rated downlight on the market.



**Lumi-Plugin  
Downlight**



**Lumi-Plugin  
+ Emergency light**



**Lumi-Plugin  
+ Sprinkler**



**Lumi-Plugin  
+ Smoke alarm**



**Lumi-Plugin  
+ Heat alarm**



**Lumi-Plugin  
+ CO alarm**



**Lumi-Plugin  
+ PIR sensor**



### Streamlines interiors

Lumi-Plugin combines LED lighting with fire safety and energy-saving innovation to make ceilings and interiors even more beautiful.



### Illuminates possibilities

One downlight. Multiple plugins. Lumi-Plugin gives you the freedom to light interiors without compromising design.



### Transforms properties

Leading-edge technology. Tapered-edge design. Lumi-Plugin is engineered to integrate seamlessly – every style, every space.



### Saves lives

Designed to detect. Invented to protect. Lumi-Plugin is the essential lighting solution for safer and smarter properties.





## Why Lumi-Plugin?

Beautiful lighting no longer needs to compete for ceiling space with fire safety systems.

Now you can create the ultimate, streamlined interiors and easily install all of the essential fire safety systems with Lumi-Plugin without compromising on design.

Our innovative downlights and range of plugins, including Emergency lights, Sprinklers, Smoke alarms, Heat alarms, CO alarms, PIR sensors, make Lumi-Plugin the revolutionary lighting solution that helps to save space, time, energy, costs and lives, so architects can take care of the rest.

- Innovative, modular and versatile downlighting solution
- All plugins are compatible and interchangeable
- Streamlining design makes ceilings more beautiful
- Transforms commercial and residential developments
- Easy installation– saving time, energy and costs
- Protects properties and people's lives



# LP110 Lumi-Plugin Downlight

LP110WH3K / LP110WH4K

600 Lumens | IP65 Rating | Fire Rated 30/60/90

More than a light. Our sleek, tapered-edged downlight is compatible with all of our innovative, interchangeable plugins to streamline ceilings and save lives. All Lumi-Plugin Downlights are guaranteed for five years or 50,000 hours.

## Downlight specification

Lumens	600
Wattage	8.5W
Voltage	220-240 ACV
Dimmable	Trailing Edge
Fire rated	30/60/90 - Solid Joist 30 - Webbed Joist & I-Joist
Built in driver	Yes
Colour temperature	3000K/4000K
Cut out size	92mm
Warrenty / hours	5 years / 50,000 hours
Colour rendering index (CRI)	>85
Beam angle	100
Product depth / diameter	55mm / 110mm
kWh per 1000hr life	8.5 kWh
Luminaire efficacy	64 lm/w



Tested to: BS EN 60598-1, BS EN 60598-2-2 & EN 1365-2014

## Features



5 year warranty



50,000 hours



IP rated



Dimmable



Beam angle is 100°



600 lumens



Fire rated 30/60/90



CE mark



Built in driver



Class 2





## Lumi-Plugin + Emergency light

LP110WH3KEM / LP110WH4KEM

Battery assisted up to three hours | IP20 Rating | Fire Rated 30/60/90

Engineered to blend in until the event of a fire. Our Emergency light plugin sits inside a Lumi-Plugin Downlight – always on standby to guide you to a place of safety.

Emergency light specification	
Input voltage	4V DC Max
Power rating	3W
Max. forward current	700mA
Input current & PF	2.9W - 26mA - $\lambda = 0.45$
Duration	3 hours
Ambient temperature	0°C to +50°C
Max. case temperature	70°C
Max. battery temperature	55°C
Mains input terminal	0.5mm - 1.5mm
Battery fuse	Internal
Battery discharge current	1000mA $\pm$ 150mA
Ingress protection	IP20
Battery type	High temp - 3KRMU33/62
Battery pack	3.6V 4.5Ah NiCd
Charge current	200mA $\pm$ 50mA
Recharge period	24 hours
Light source	Samsung LH315B
Beam angle	110°
Light source colour temperature	6500K



Tested to: BS EN 61347-2-7:2012



## Lumi-Plugin + Sprinkler

LP110WH3KSPK / LP110WH4KSPK

Suitable for concealed sprinkler systems | IP54 Rating | Fire Rated 30/60/90

Our Sprinkler plugin safely delivers a fire suppressing supply of water from the centre of a Lumi-Plugin Downlight, ensuring no water or electricity mix – it's like having your own firefighter in every room.

### Sprinkler specification

Brand	Rapidrop – RD107 & RD205
K factor	5.6
Response	Quick response
Max. working pressure	12.1 bar (175 psi)
Link	Fusible link
Temperature rating	Sprinkler: 72°C (162°F) Cover plate: 60°C (140°F)
Cover plate size	60mm (2-3/8")
Vertical adjustment	9.5mm (3/8")







## Lumi-Plugin + Smoke alarm

LP110WH3KMBWSA / LP110WH4KMBWSA

World's smallest smoke alarm | Battery back-up | Wireless connectivity

This plugin is the world's smallest, mains-powered, Smoke alarm. Fitted inside the centre of a Lumi-Plugin Downlight, it blends in seamlessly and connect wirelessly to our heat alarms to protect the entire property.

### Smoke alarm specification

Operation AC/DC	110V AC, 230V AC
Battery type	Non replaceable 10 year battery
Power consumption	161mAh in non-alarm condition
Interlink frequency	868MHZ
Range	Minimum 100m in open field
Sound	Audible indicator min. 85dB @ 3 metres in anechoic successive tones
Warranty	10 years

Tested to: EN14604:2005 + AC:2008

WIRELESS.  
ALARM FAMILY





## Lumi-Plugin + Heat alarm

LP110WH3KMBWHA / LP110WH4KMBWHA

World's smallest heat alarm | Battery back-up | Wireless connectivity

This plugin is the world's smallest, mains-powered, Heat alarm. Designed to link with our Smoke alarm plugins to offer complete coverage, rapid connectivity and clutter-free ceilings.

### Heat alarm specification

Operation AC/DC	110V AC / 230V DC
Battery type	Non replaceable 10 year battery
Power consumption	145mAh in non-alarm condition
Interlink frequency	868MHZ
Range	Minimum 100m in open field
Sound	Audible indicator min. 85dB @ 3m in anechoic successive tones
Operating temperature	+4°C to +38°C (tested 0°C to 55°C)
Operating humidity	Up to 95% RH non-condensing
Warranty	10 years



WIRELESS.  
ALARM FAMILY





## Lumi-Plugin + CO alarm

LP110WH3KCOA / LP110WH4KCOA

World's smallest CO alarm | Battery back-up

Protect against the silent killer with our interchangeable and easy-to-fit Carbon Monoxide alarm plugin. Designed to stay out of sight and give you peace of mind.

### CO alarm specification

Battery Type	Powered by a non replaceable CR123A lithium battery 16000mAh
Battery life	Minimum 10-year life in normal operating conditions
Sensor life	10 years after manufacturing date
Sound	Audible indicator min. 85dB @ 3m in anechoic chamber
Operating temperature	+4°C to +38°C (tested 0°C to 55°C)
Operating humidity	Up to 90% RH non-condensing

Tested to: EN 50291-1:2010+A1:2012





## Lumi-Plugin + PIR sensor

LP110WH3KMPIR / LP110WH4KMPIR

Mains powered | Energy saving | Connect up to 8 Lumi-Plugin Downlights

Our automatic PIR sensor plugin helps you to reduce energy costs by activating the lighting system only when a space is in use. Easy to install in Lumi-Plugin Downlights – they'll take care of your property, and the planet too.

### PIR sensor specification

Power source	220-240/AC
Power frequency	50Hz
Ambient light	<3-2000 LUX adjustable
Time delay	Min. 10sec, max. 15min
IP rating	IP54
Detection range	360 degrees
Detection distance	6m max.
Working temperature	-20°C to 40°C
Power consumption	0.5W
Working humidity	<93%RH
Rated load	Max 800W
Installation height	2-4 metres
Detection moving speed	0.6-1.5 m/s





#### Removable Bulb

Dimmable and replaceable, our continuous halo LED 3000K/4000K bulbs beam 600 Lumens from every downlight. Unlike other LED downlights that require you to change the whole unit when they fail, our downlights only need you to change the low voltage bulb without effecting the Plugin in the centre. It's simply illuminating, especially as Lumi-Plugin use Samsung LED chips that deliver 64 Lumens per Watt.

#### Quick-Connect Junction Box

Installing Lumi-Plugin couldn't be easier, or quicker. With our new built-in driver fitted on the inside you just need to connect our screwless junction box on the outside. Simply, daisy-chain Lumi-Plugin Downlights together. Let us know how easy you find it to install – we'd love to know if it ticks all of your boxes.



“ Lumi-Plugin has allowed us to keep the open plan we liked without spoiling the look of the period building. In fact, you can't see the sprinklers or the fire alarms as they are hidden in the ceiling lights. The system is great.”

## Before and afters



Before



After

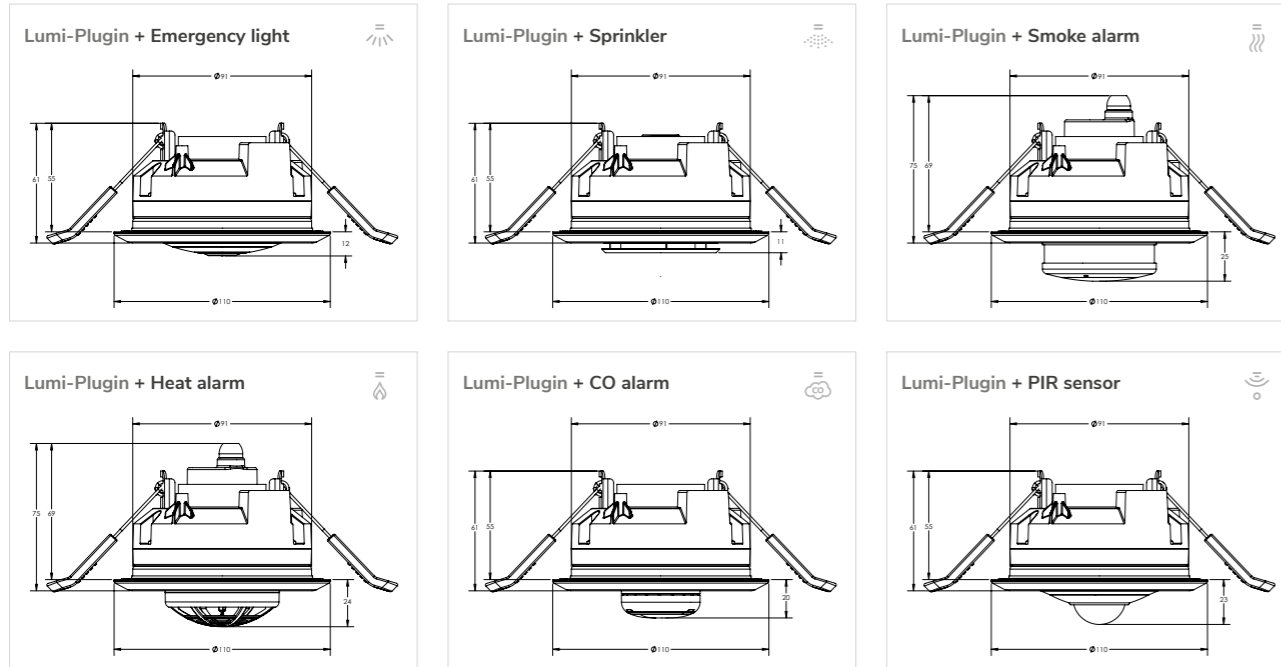


Before



After

## Dimensions



## Testing and warranty

We guarantee you'll love Lumi-Plugin. All of our products are 100% tested and rated to ensure they exceed the highest product quality, energy, and safety standards before they leave our factory. Pick you Lumi-Plugin and check it here.

We give a minimum of a 5 year warranty on all or products so if you have a problem just give us a call and we will sort it.

### Testing & warranty

Lumi-Plugin Downlight	BS EN 60598-1, BS EN 60598-2-2
Lumi-Plugin + Emergency light	BS EN 61347-2-7:2012
Lumi-Plugin + Sprinkler	LPS 1048 and residential installations to BS 9251:2014
Lumi-Plugin + Smoke alarm	EN14604:2005 + AC:2008 Complies to BS 5839: Part 6 Grade D
Lumi-Plugin + Heat alarm	Complies to BS 5839: Part 6 Grade D
Lumi-Plugin + CO alarm	EN50291-1
Lumi-Plugin + PIR sensor	EN 61058-1: 2002+ A2:2008

All Lumi-Plugin products are CE marked

Fire Rating to EN 1365-2014

2002/96/EC – Waste Electrical & Electronic Equipment (WEEE) No: WEE/AU4375YF

2011/65/EU - Restriction of the use of certain Hazardous Substances in EEE (RoHS)

(EC) No 1907/2006 - The Registration, Evaluation, Authorisation and Restriction of Chemicals (REACH)

DOP – all available at lumi-plugin.com

# Contact us

## Got a question?

Every member of our team is highly trained and always happy to talk you through any technical questions you may have. Give us a call or email us – we're here to support you however we can.

Find your nearest Lumi-Plugin stockists and sign up to our newsletter at [lumi-plugin.com](http://lumi-plugin.com).



**Ask our advice.  
Find out more.  
Get in touch.**

**+44 (0) 3303 801 329  
[hello@lumi-plugin.com](mailto:hello@lumi-plugin.com)**

Specifications are subject to change.

Sleep Safe Systems Limited  
trading as Lumi-Plugin

UK Company Number: 9152482

Registered address: Lindenmuth House  
Lindenmuth Way, Greenham Business Park  
Newbury, Berkshire RG19 6HW



**Smaller.  
Smarter.  
Safer.**

[lumi-plugin.com](http://lumi-plugin.com)